

# Excel Curved Shutter For Keystone Jack 45x45mm 1 Port

Item Code: 100-281

**excel**  
without compromise.



✕ Accepts all Excel Keystone Jacks

✕ Available in 1 & 2 Port versions

✕ Directly mount in trunking

✕ Curved shape

✕ Large label field

## Product Overview

The Excel Curved 45 x 45 mm Keystone Shutters are available in 1 and 2 port versions. Each shutter will support all of the Excel Keystone Jacks enabling screened and unscreened Category 5e, 6 and 6A terminations to be presented in a uniform fashion.

Fixing clips are positioned on the rear of the shutter to allow the fitment to horizontally or vertically mounted trunking whilst maintain upright orientation of the shutter. Each port is protected with a curved, spring loaded shutter in matching material. The shutter comes complete with paper label and fitted clear window.

## Product Specifications

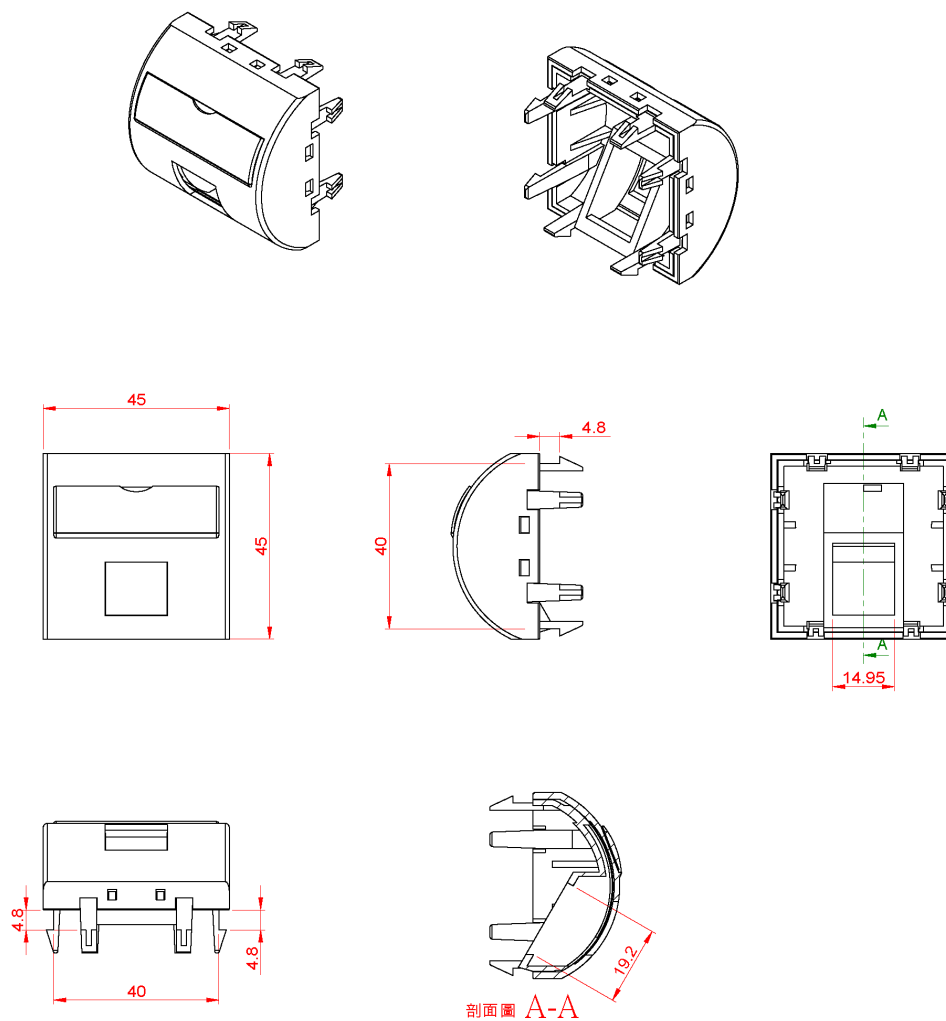
Feature	Values
Utilisation	Mounting cover data connector
Material	Plastic
Colour	White
RAL-number (akin)	9016
Type of fastening	Engage (snap)
Number of modules (module system)	1
Width of device	45 mm
Height of device	45 mm

# Excel Curved Shutter For Keystone Jack 45x45mm 1 Port

Item Code: 100-281

**excel**  
without compromise.

## Product drawing



## Standards

Applicable standard	Detail
BSEN 60670-1:2005 + A1:2013	Boxes and enclosures for electrical accessories for household and similar fixed electrical installations general requirements
BSEN 61340-5-1:2007	Protection of electronic devices from electrostatic phenomena. General requirements apply to activities that:

# Excel Curved Shutter For Keystone Jack 45x45mm 1 Port

Item Code: 100-281



manufacture, process, assemble, install, package, label, service, test, inspect, transport or otherwise handle electrical or electronic parts, assemblies and equipment susceptible to damage by electrostatic discharges greater than or equal to 100 V human body model (HBM).

BSEN 60529:1992+A2:2013

Degrees of Protection provided by Enclosures ( IP CODE )

RoHS

Compliant to the Restriction of Hazardous Substances

WFD

Compliant to Waste Framework Directive

SCIP

Compliant - Does Not Contain Substances of Concern in Products

## Part Number Table

Part Number	Description
100-281	Excel Curved Shutter For Keystone Jack 45x45mm - 1 Port



KKMtech Sp. z o.o. | ul Santocka 39 71083 Szczecin POLAND

T: +48 91 462 44 12 | E: [biuro@kkmtech.pl](mailto:biuro@kkmtech.pl) | W: [www.kkmtech.pl](http://www.kkmtech.pl)